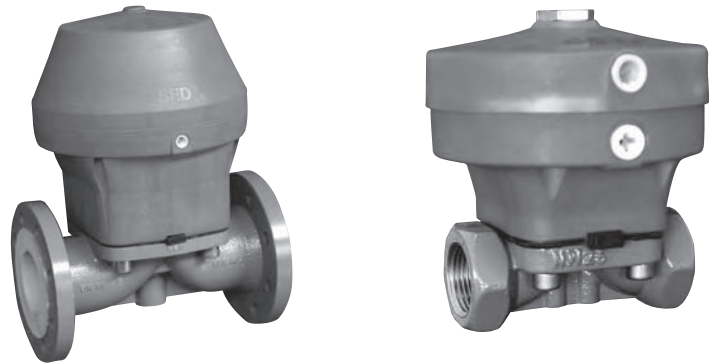


DN 15 - DN 80 / 1/2" - 3"

Construction

385 Pneumatically operated valve with plastic actuator normally closed (NC)
385 Pneumatically operated valve with plastic actuator normally closed (NC), normally open (NO) or double acting (DA).
This compact design and light weight valve has a smooth contour finish on the plastic cover to eliminate accumulation of dirt and is corrosion resistant. The actuator is designed as a maintenance free diaphragm actuator. Various accessories are available for adjustments, control and regulation which can be assembled in the factory or on the job site afterwards.

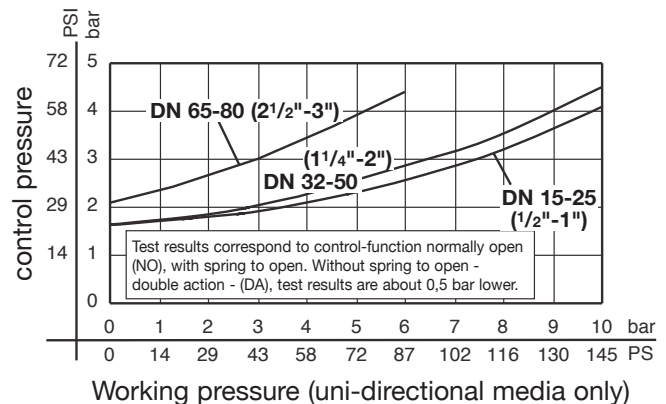
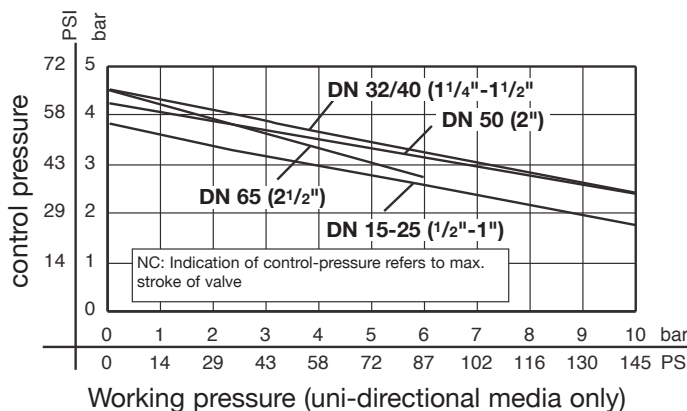


Features

- Process media can be neutral and aggressive liquid and gaseous, dependent upon material selection of body and diaphragm
- Flow can be in either direction
- Insensitive to dirty or contaminated media
- Excellent flow characteristics
- Bubble tight sealing
- Installation can be in any position
- Eliminates water hammer
- Compact construction
- Maintenance free non corrosive actuator

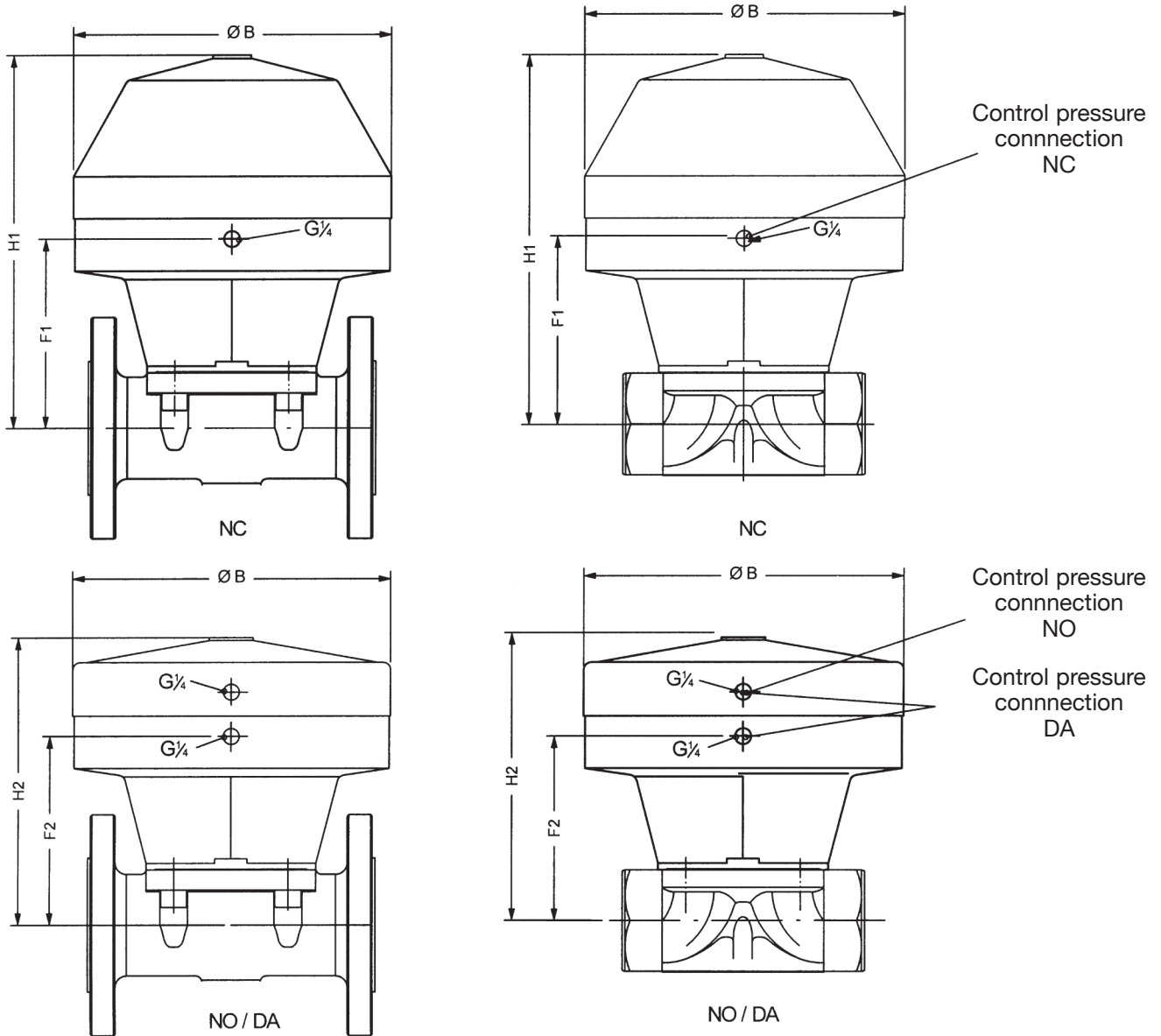
Technical data

Temperature: max 95 °C (200 °F), higher temperature versions up to 150 °C (300 °F) available on Request



DN mm	Size mm	max. operating pressure bar	max. operating pressure PSI	max. control Pressure bar Type 385 (NC)	max. control Pressure PSI Type 385 (NC)	max. control Pressure bar Type 385 (NO/DA)	max. control Pressure PSI Type 385 (NO/DA)	C _v gpm	K _v m ³ /h	Filling Volume Type 385 (NC)		Filling Volume Type 385 (NO/DA)		Face to Face DIN3202			Face to Face MSS-SP88		Face to Face BS 5156																
										NL	Cubic Inch	NL	Cubic Inch	GG 25	GG 25 Rubber Lined	*GGG 40.3 PFA Lined	*GGG 40.3 PP Lined	Stainless Steel	Stainless Steel PFA Lined	Stainless Steel	*GGG 40.3 PFA Lined	*GGG 40.3 PP Lined	Stainless Steel	*GGG 40.3 PFA Lined	*GGG 40.3 PP Lined										
15	1/2	10	145	6	87	6	72	8	7	0.16	9.764	0.06	3.661	X		X	X	X	X		X														
20	3/4	10	145	6	87	6	72	16	14	0.16	9.764	0.06	3.661	X	X	X	X	X	X	X	X	X	X	X	X	X	X	X	X	X	X				
25	1	10	145	6	87	6	72	23	20	0.16	9.764	0.06	3.661	X	X	X	X	X	X	X	X	X	X	X	X	X	X	X	X	X	X	X			
32	1 1/4	10	145	6	87	6	72	42	36	0.36	21.969	0.11	6.713	X	X	X	X	X	X	X	X	X	X	X	X	X	X	X	X	X	X	X			
40	1 1/2	10	145	6	87	6	72	47	40	0.36	21.969	0.11	6.713	X	X	X	X	X	X	X	X	X	X	X	X	X	X	X	X	X	X	X	X		
50	2	10	145	6	87	6	72	94	80	1.15	70.177	0.32	19.528	X	X	X	X	X	X	X	X	X	X	X	X	X	X	X	X	X	X	X	X		
65	2 1/2	6	87	6	87	6	72	140	120	2.1	128.15	2.2	134.252			X	X	X	X	X	X	X	X	X	X	X	X	X	X	X	X	X	X	X	
80	3	6	87	6	87	6	72	187	160	2.1	128.15	2.2	134.252			X	X	X	X	X	X	X	X	X	X	X	X	X	X	X	X	X	X	X	X

* Ductile Iron



DN mm	Size inch	Ø B		Type 385 - NC Face to Face				Type 385 - NO / DA Face to Face				Type 385 - NC with Threaded Socket				Type 385 - NO / DA with Threaded Socket												
		mm	Inch	F1 mm	F1 Inch	H1 mm	H1 Inch	Lbs.	Kg	F2 mm	F2 Inch	H2 mm	H2 Inch	Lbs.	Kg	F1 mm	F1 Inch	H1 mm	H1 Inch	Lbs.	Kg	F2 mm	F2 Inch	H2 mm	H2 Inch	Lbs.	Kg	
15	1/2	130	5.11	66	2.59	160	6.3	6.8	3.1	95	3.74	128	5.04	4.6	2.1	57	2.24	151	5.94	4.2	1.9	86	3.39	119	4.69	4.2	1.9	
20	3/4	130	5.11	66	2.59	160	6.3	8.2	3.7	95	3.74	128	5.04	6.0	2.7	60	2.36	154	6.06	4.4	2.0	89	3.5	122	4.80	4.4	2.0	
25	1	130	5.11	70	2.76	160	6.3	9.3	4.2	95	3.74	129	5.04	7.1	3.2	64	2.52	154	6.06	5.1	2.3	89	3.5	123	4.84	5.1	2.3	
32	1 1/4	161	6.33	108	4.25	208	8.19	17	7.7	134	5.28	167	6.57	14.8	6.7	104	4.09	204	8.03	9.9	4.5	130	5.12	163	6.42	9.9	4.5	
40	1 1/2	161	6.33	108	4.25	213	8.39	18.1	8.2	134	5.28	171	6.73	15.9	7.2	101	3.98	206	8.11	10.8	4.9	127	5.0	164	6.46	10.8	4.9	
50	2	218	8.58	127	5.00	263	10.35	29.1	13.2	159	6.26	203	7.99	28.0	12.7	123	4.84	259	10.20	19.0	8.6	155	6.1	199	7.83	19	8.6	
65	2 1/2	265	10.43	182	7.17	330	12.99	57.3	26	225	8.86	291	11.5	51.6	23.4													
80	3	265	10.43	182	7.17	330	12.99	57.3	26	225	8.86	291	11.5	51.6	23.4													