



**Construction**

289 Handwheel operated actuator in plastic

This compact designed valve is ideal for using where space is at a premium. The smooth contour finish of the plastic cover eliminating accumulation of dirt and is corrosion resistant.

295 Handwheel operated actuator with stainless steel bonnet

The same compact design as type 289 but with a stainless steel bonnet which allows this valve to be used for higher temperature, depending on the diaphragm material to be used.

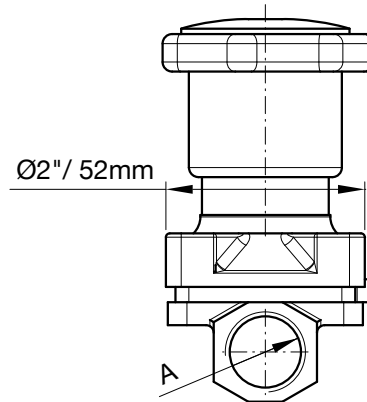
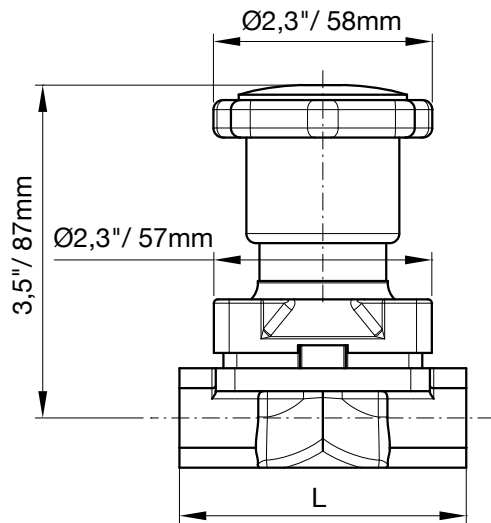
**Features**

- Process media can be neutral or aggressive liquid, and gaseous, dependent upon material selection of body and diaphragm
- Flow can be in either direction
- Insensitive to dirty or contaminated media
- Excellent flow characteristics
- Bubble tight sealing
- Installation can be in any position
- Eliminates water hammer
- Complete with position indicator
- Compact construction
- Maintenance free and non corrosive actuator

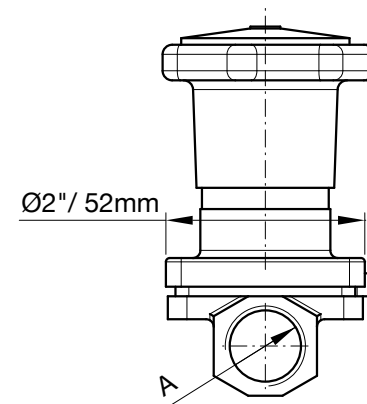
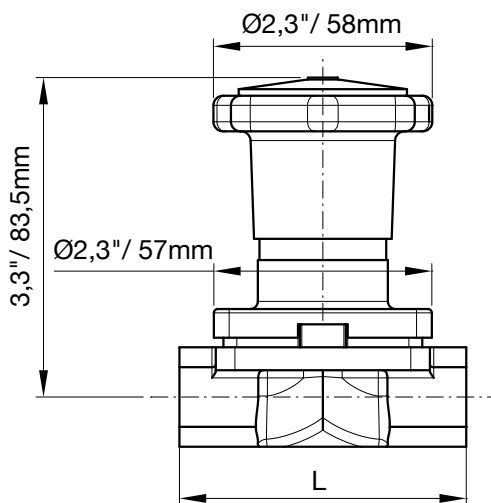
**Technical data**

- Temperature: Type 289 max 95 °C (200°F)  
Type 295 max 150 °C (300 °F) depending on diaphragm material

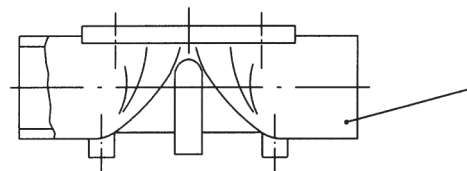
Size inch	DN mm	Connection A	Length L		Weight	
					Typ 295	Typ 289
1/4	10	G <sup>1/4</sup>	2.20"	56mm	0.45kg / 0.99Lbs	0.54kg / 1.19Lbs.
3/8	12	G <sup>3/8</sup>	2.20"	56mm	0.47kg / 1.03Lbs.	0.55kg / 1.21Lbs.
1/2	15	G <sup>1/2</sup>	2.95"	75mm	0.47kg / 1.03Lbs.	0.56kg / 1.23Lbs.



Type 289



Type 295



Information on  
**SED Diaphragm Valves  
for Pharmaceutical and  
Biotech Processing**  
see Leaflet TD970010

Size inch	DN mm	Working Pressure bar	C <sub>v</sub> -Value gpm	K <sub>v</sub> -Value m <sup>3</sup> / h
1/4	10	0 - 6	2.8	2.4
3/8	12	0 - 6	3.3	2.8
1/2	15	0 - 6	4.9	4.2