



Construction

This compact designed valve is ideal for using where space is at a premium. The smooth contour finish of the plastic cover eliminating accumulation of dirt and is corrosion resistant. The actuator is designed in plastic and is a highly efficient piston design.

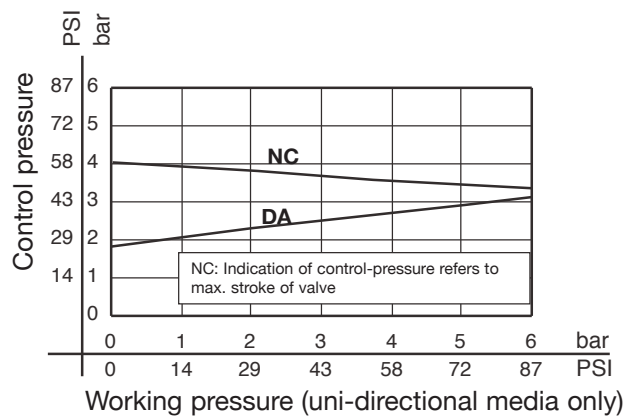
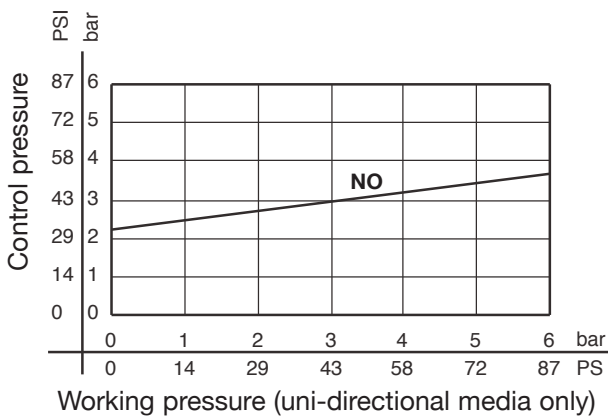
Features

- Process media can be neutral and aggressive liquid and gaseous, dependent upon material selection of body and diaphragm
- Flow can be in either direction
- Insensitive to dirty or contaminated media
- Excellent flow characteristics
- Bubble tight sealing
- Installation can be in any position
- Eliminates water hammer
- Complete with position indicator
- Compact construction
- Maintenance free Plastic- Piston actuator non corrosive
- Actuators for different orientated air control connection

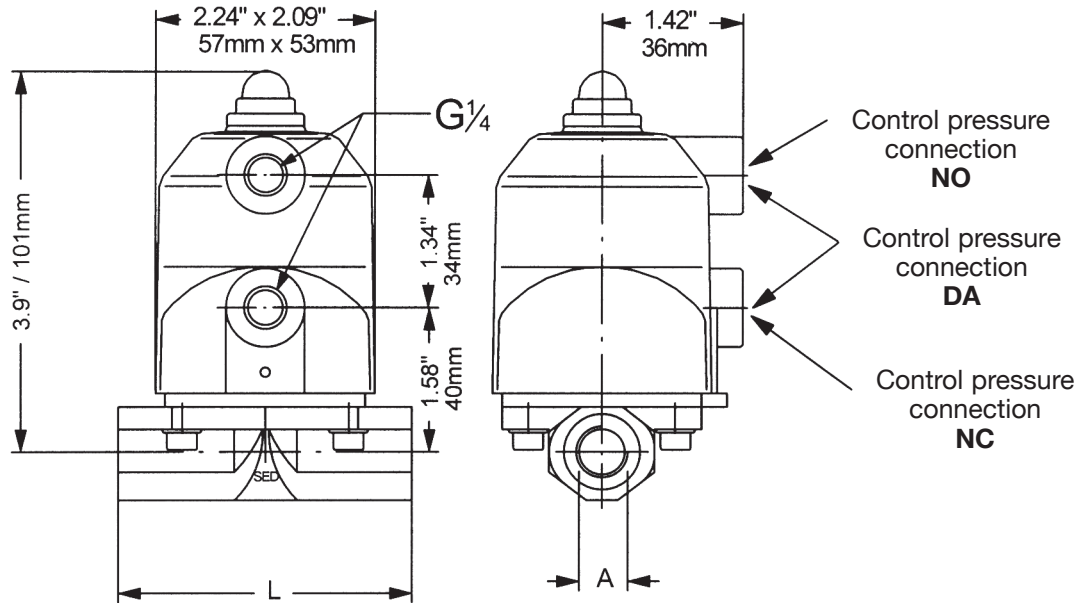
Technical data

Temperature: Type 188 max 95 °C (200 °F) up to 150 °C (300 °F) available on request higher Temperature versions

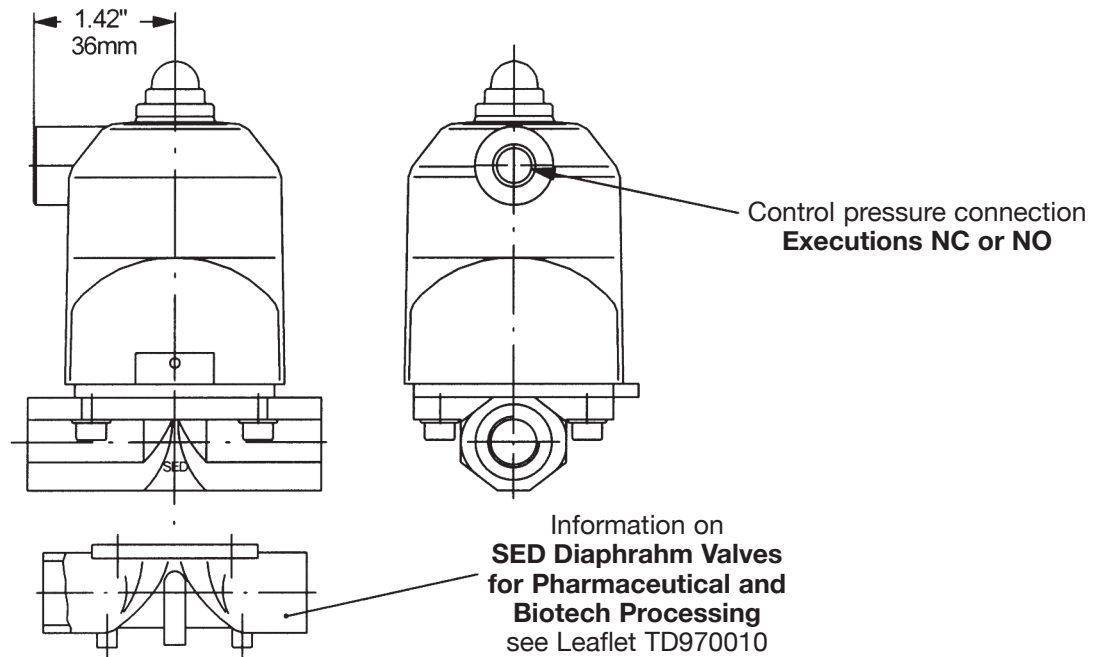
Size inch	DN mm	Working pressure	Control pressure	C _v -Value gpm	K _v -Value m ³ / h	Filling Volume	
						Cubic Inch	NL
1/4	10	0-87psi / 0-6bar	58-101psi / 4-7bar	2.6	2.2	1.648	0.027 NL
3/8	12	0-87psi / 0-6bar	58-101psi / 4-7bar	3.3	2.8	1.648	0.027 NL
1/2	15	0-87psi / 0-6bar	58-101psi / 4-7bar	4.0	3.5	1.648	0.027 NL



Control pressure connection in 90° to the flow direction



Control pressure connection in flow direction (for NO and NC)



Size inch	DN mm	Connection A	Length L		Weight
1/4	10	G $\frac{1}{4}$	2.20"	56 mm	0.52Lbs. / 0.24kg
3/8	12	G $\frac{3}{8}$	2.20"	56 mm	0.50Lbs. / 0.23kg
1/2	15	G $\frac{1}{2}$	2.95"	75 mm	0.59Lbs. / 0.27kg

Ordering example see page 18 · Accessories see page 17 · Options on request